



SMOOTH NESTABLE TUB

These tubs are used by libraries and the clothing industry, but have applications in manufacturing, schools and other environments. Polyethylene construction makes these tubs durable and maintenance-free, but still lightweight.

A diamond texture on the bottom helps keep things in place, but still allows the tub to slide on tables and smooth surfaces. Plus optional holes give dust or moisture an easy escape path. Two notches on each end keep nested tubs from getting stuck, and smooth sides make labeling easy.

ITEM NUMBER
RTV100-CT-CA
RTV200-GC-CA
RTV300-GC-CA



MADE IN THE USA



Empty tubs nest so you can
store more in less space.

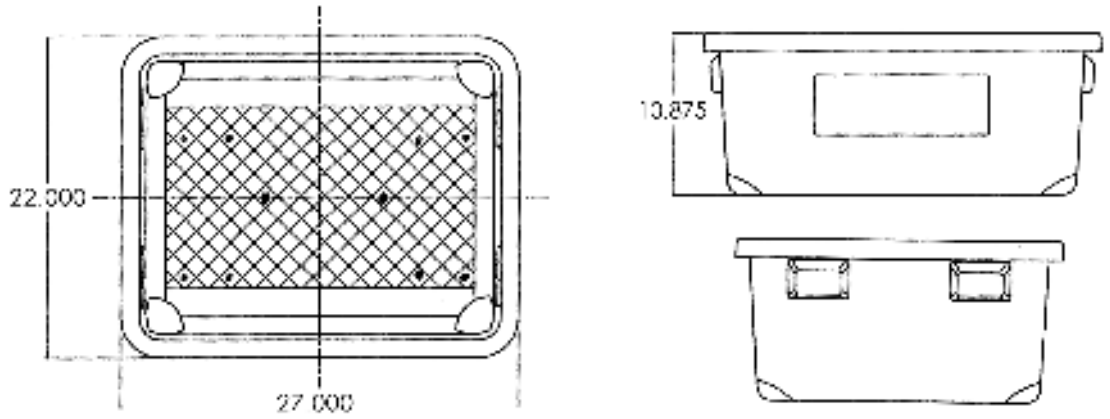
800.798.4900

www.gpi-plastics.com

1126 N. Kimball St.
Danville, IL



SMOOTH NESTABLE TUB TECHNICAL SPECIFICATIONS



Drawing is not to scale. For reference only.

DIMENSIONS	RTV100-CT-CA	RTV200-GC-CA	RTV300-GC-CA
Overall length	27.000"	32.000"	24.000"
Overall width	22.000"	22.000"	22.000"
Overall height	10.875"	11.000"	11.000"
Approx. weight	7.0 lbs.	8 lbs. 12 oz.	6.0 lbs.

Features and Benefits

- Maintenance-free
- Crafted from durable, yet lightweight polyethylene
- Rounded corners prevent snagging and injury
- Flat bottom allows for easy sliding on belts and surfaces
- The diamond texture inside the bottom of the tub helps stabilize contents
- Empty tubs nest so you can store more tubs in less space
- Smooth exterior makes it easy to label on any side

OPTIONS

- Available in multiple sizes
- Optional holes in bottom allow dust or moisture to escape
- Logo area allows you to brand each tub with your corporate identity



About GPI

Greenwood Plastics Industries is family-owned and operated. Located in Central Illinois, GPI manufactures durable, lightweight products to fill the needs of a variety of industries, including airlines, retail, food distribution, healthcare and funeral service.